



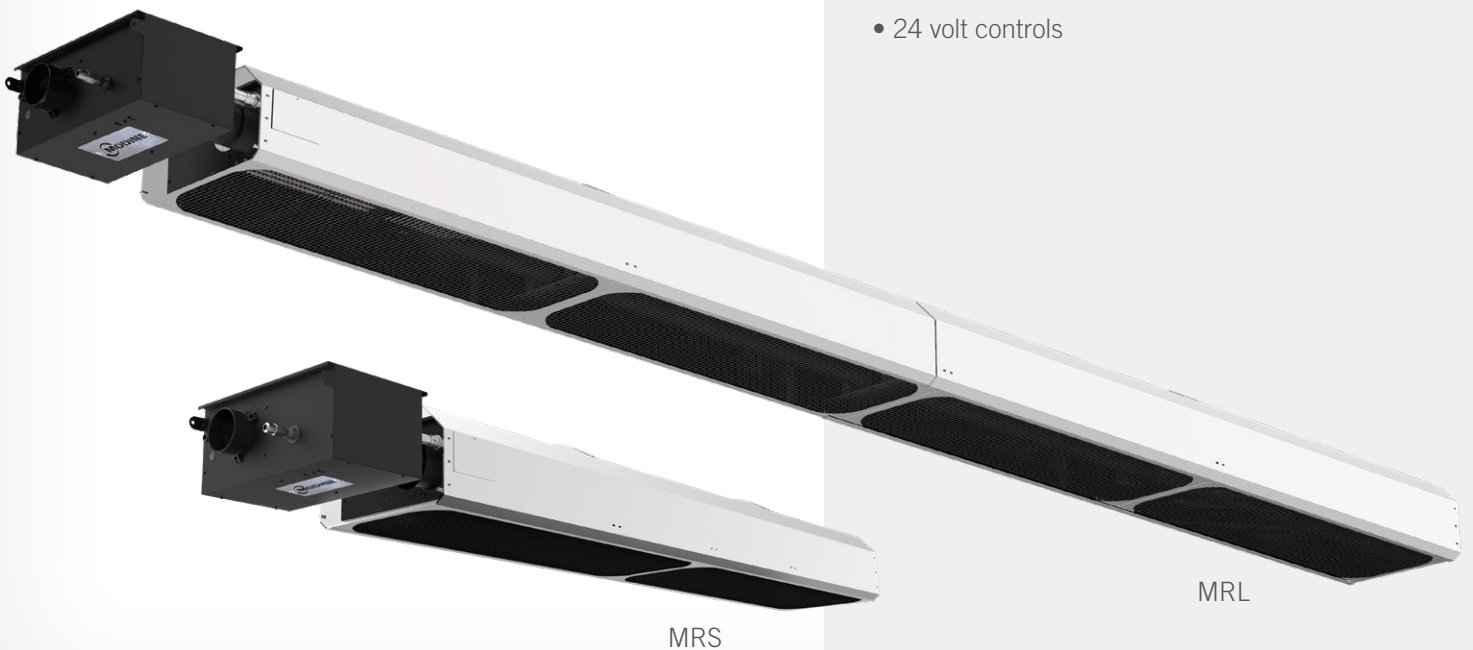
MRS & MRL PATIO HEATERS

THE IDEAL HEATER FOR ANY OUTDOOR APPLICATION

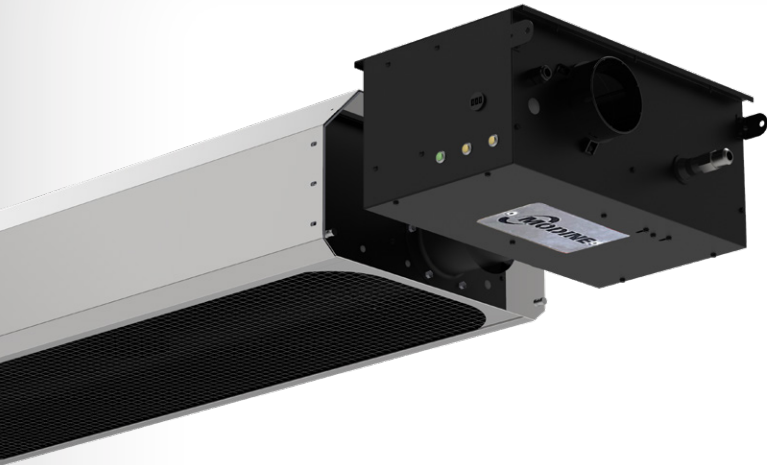
The aesthetically designed patio heaters provide two stage heating technology for greater heat control and even heat distribution. The gas-fired, low intensity heaters are offered in 9' or 16' lengths and allow for natural or propane gas. These preassembled heaters are perfect for any of your outdoor heating needs.

Key Features

- Easy configuration and assembly in less than 5 minutes
- Two stage operation for greater heat control and increased safety
- Attractive heaters with modular grille that enhances the ambiance of any outdoor spaces
- Hanging chains kit and flexible gas connector included
- 24 volt controls



Product Specifications



Input Range	50,000 to 100,000 btu/hr
Length	MRS: 9' MRL: 16'
Gas Type	Natural or Propane
Combustion Chamber	4" Aluminized Steel
Radiant Tubes	.95 Black-Coated Aluminized Steel
Certification	CSA Certified to ANSI Z83.26
Limited Warranty	Components: 3 year Tubes: 5 year Burner: 10 year
Electrical	120V, 60Hz. 24V Control Amps: 4.8 starting, 1.1 running
Heating Coverage Area	MRS: 160 ft ² MRL: 312 ft ²

Available DSR Models & Clearances

MODEL #	GAS ¹	BTU/h HIGH FIRE	BTU/h LOW FIRE	LENGTH	WEIGHT	MOUNTING HEIGHTS ²	CLEARANCES TO COMBUSTIBLES (INCHES)	MOUNTING ANGLE ³	SIDE	TOP	BELOW
MRS 15-050N MRS 15-050P	Nat. or Prop.	50,000	35,000 (Nat) 45,000 (Prop)	9'	115 lbs.	9' to 16'		0°	14"	10"	50"
MRL 30-065N MRL 30-065P	Nat. or Prop.	65,000	50,000	16'-4"	170 lbs.	9' to 16'		0°	25"	6"	60"
MRL 30-080N MRL 30-080P	Nat. or Prop.	80,000	52,000	16'-4"	170 lbs.	9' to 16'		0°	25"	6"	60"
MRL 30-100N MRL 30-100P	Nat. or Prop.	1000,000	65,000	16'-4"	170 lbs.	9' to 16'		0°	25"	6"	77"

¹ Specify natural (Nat.) or propane (Prop.) gas.

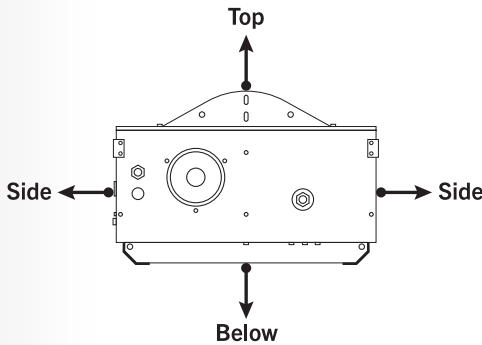
² Factory recommended mounting heights are provided as a guideline. Actual conditions may dictate variations from the above data.

³ Refer to MRS Manual or MRL Manual for additional information about clearances for 30° mounting angle.

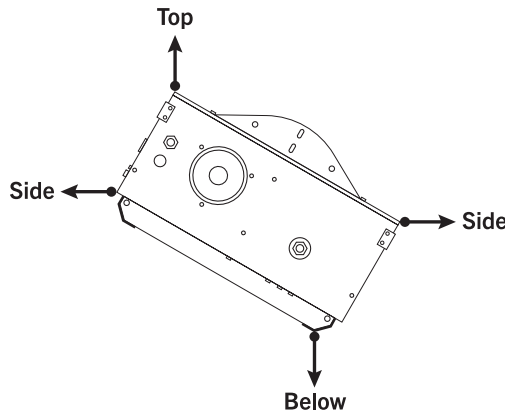
Always maintain the published clearances to combustibles. For outdoor use only. Not for indoor residential use.

Clearances published in MRS Series and MRL Series manuals and on warning labels supersede data shown on this brochure.

0° Mounting Angle



30° Mounting Angle



To learn more, visit
www.modinehvac.com
or call 800-828-HEAT

Follow us @ModineHVAC
See us at [YouTube.com/ModineHVAC](https://www.youtube.com/ModineHVAC)
www.facebook.com/ModineHVAC/
www.linkedin.com/company/modinehvac/

Modine Manufacturing Company
1500 DeKoven Avenue
Racine, Wisconsin 53403-2552

©2024 Modine Manufacturing Co.
9-130.1